

## 6. COMPLETING THE INSTALLATION

1. Make sure the wiring is safely inside the outlet box as instructed in Step 5 - Electrical Connections. To install the canopy, partially unscrew the 2 screws in the hanger bracket. Align the slotted holes in the canopy with the screws in hanger bracket. Push up the canopy so the screws slip into the slot. Turn the canopy so it locks in place. Make sure the canopy is not quite touching the ceiling.

**2. Blade Assembly & Installation** (Fig. 10) Using the supplied blade arm screws, attach the blades to the blade arms. In some cases the metal washer is permanently fixed to the screw head. Ensure all screws are used for each blade. Next attach the blades to the motor assembly using the supplied screws. **DO NOT bend the blade arms when installing the blades.**

**3. Attaching the Control Cup** (Fig. 11) Attach the control cup plate to the flange of the motor by using the three (3) screws provided that are pre-installed on the flange. (Fig. 12) Join the two ends of the square cannon plugs (lining up the colors) and attach the control cup to the control cup plate with the three (3) screws provided.

A certain amount of wobble may be considered normal, especially if the fan is on a downrod longer than 12".

4. Turn on the fan and check the 4 position speed switch - 3 speeds and stop. (Fig. 13) Check the reverse switch **NOTE:** Wait for the fan to stop rotating before changing from forward to reverse.

Fig. 10

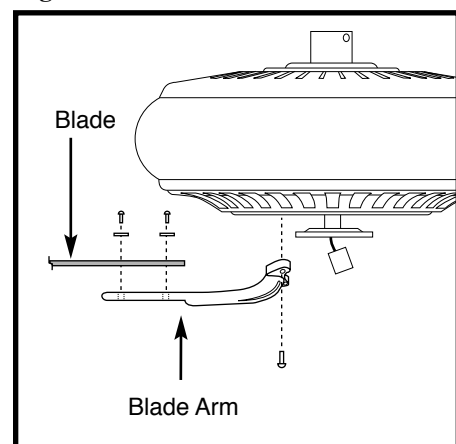


Fig. 11

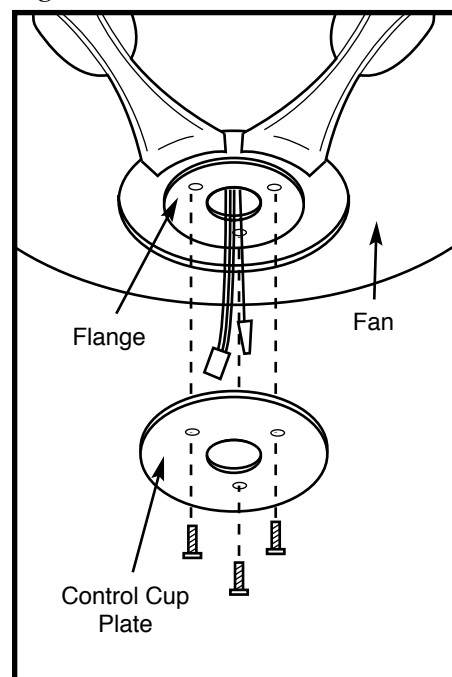


Fig. 12

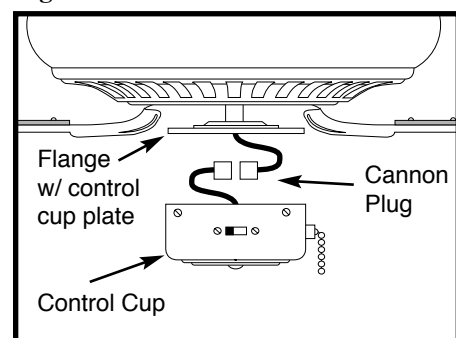
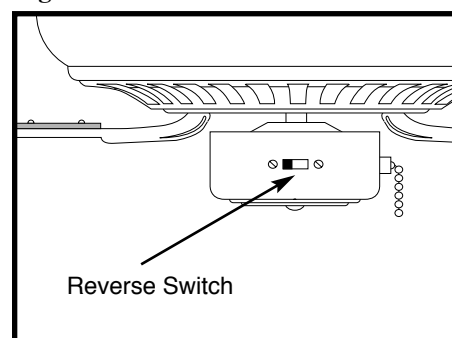


Fig. 13



## 7. FAN OPERATION AND CARE

1. A ceiling fan is an environmentally smart choice to cool as well as help to warm your home or office. You should see a reduction in both heating and cooling costs by regular use of your fan.

Do not hesitate to use your fan during summer and winter months. In summer, using the reverse switch, adjust the fan's direction so cool air is blown down, producing a cooling breeze. (Fig. 14) In winter, reverse the fan so that an upward airflow will push warm air off the ceiling and circulate it downwards into the living area (Fig. 15). In winter months, use the fan at a lower speed than summer.

2. Periodically check tightness of all screws securing the blades to the blade arm attachment points. A clicking or rattling noise is a sure indication of loosening screws. Since screws will invariably work loose over time, at least once a year, tighten all the screws attaching blades to blade arms. **Do not bend blade arms when cleaning or servicing the fan.**

3. Clean your fan periodically using only a cloth dampened with a mild detergent solution for all hardware - never use solvents. The finish plating is lacquered to prevent tarnishing. Use a lint-free cloth with clean water to clean blades.

4. You will never need to oil or lubricate your fan. Its permanently sealed bearings will provide trouble-free, silent operation for many years.

5. If repairs or servicing are ever required, to avoid possible electric shock, **turn off the electricity** at the main fuse or circuit panel before you begin.

Fig. 13

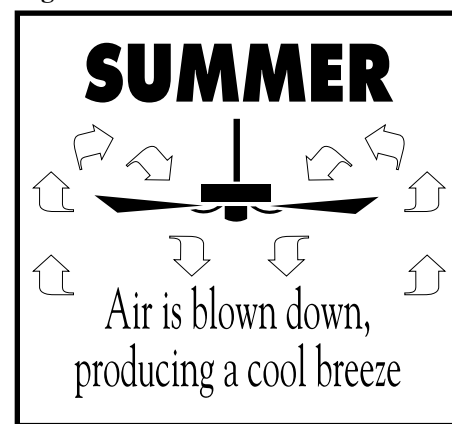
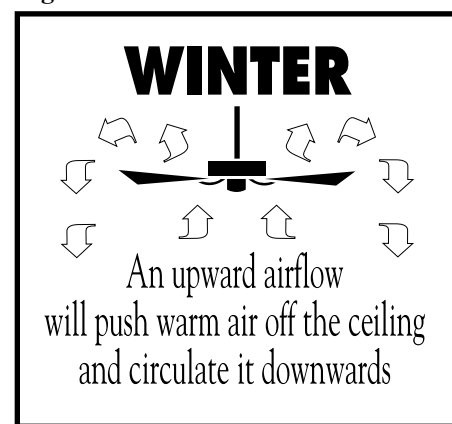


Fig. 14



## 8. TROUBLESHOOTING

### FAN WILL NOT START

1. Check that the electricity has been turned on at the circuit breaker which had probably been turned off during installation.
2. Turn off the electricity. Check all connections in the wiring of the fan at the ceiling and make sure it follows the wiring instructions outlined in this manual.

### NOISE

**Note:** Always allow a day or two "run-in" time for any new fan at medium or high speed. When attempting to diagnose noise, listen carefully from several sides to try and isolate the location of the noise (blades, upper end, motor, light kit, etc.).

1. Tighten all screws attaching blades to blade arms. Remember to tighten these screws at least once a year because they may loosen slowly over time and cause a clicking noise.

2. Turn off the power. Loosen the canopy and check that the wiring and/or wire nut connectors are not resting against the canopy, possibly vibrating while the fan is on.

3. Use of a standard light rheostat or an unapproved fan wall control to control the fan speed will always cause an annoying "hum". Many fan motors do not work quietly with solid state variable speed controls.

4. Check that the rubber gasket on the mounting bracket has been installed if called for in the installation instructions.

5. Check that the canopy is not touching the ceiling.

6. Check that all screws on the motor housing and the bottom housing are tight.

### FAN TURNS, BUT DOES NOT MOVE MUCH AIR

1. The fan may be running in reverse.
2. The distance from the ceiling to the blades may be too small. At least 8" are recommended.
3. The room may contain items which obstruct the air flow.
4. The fan may be too small for the size of the room.

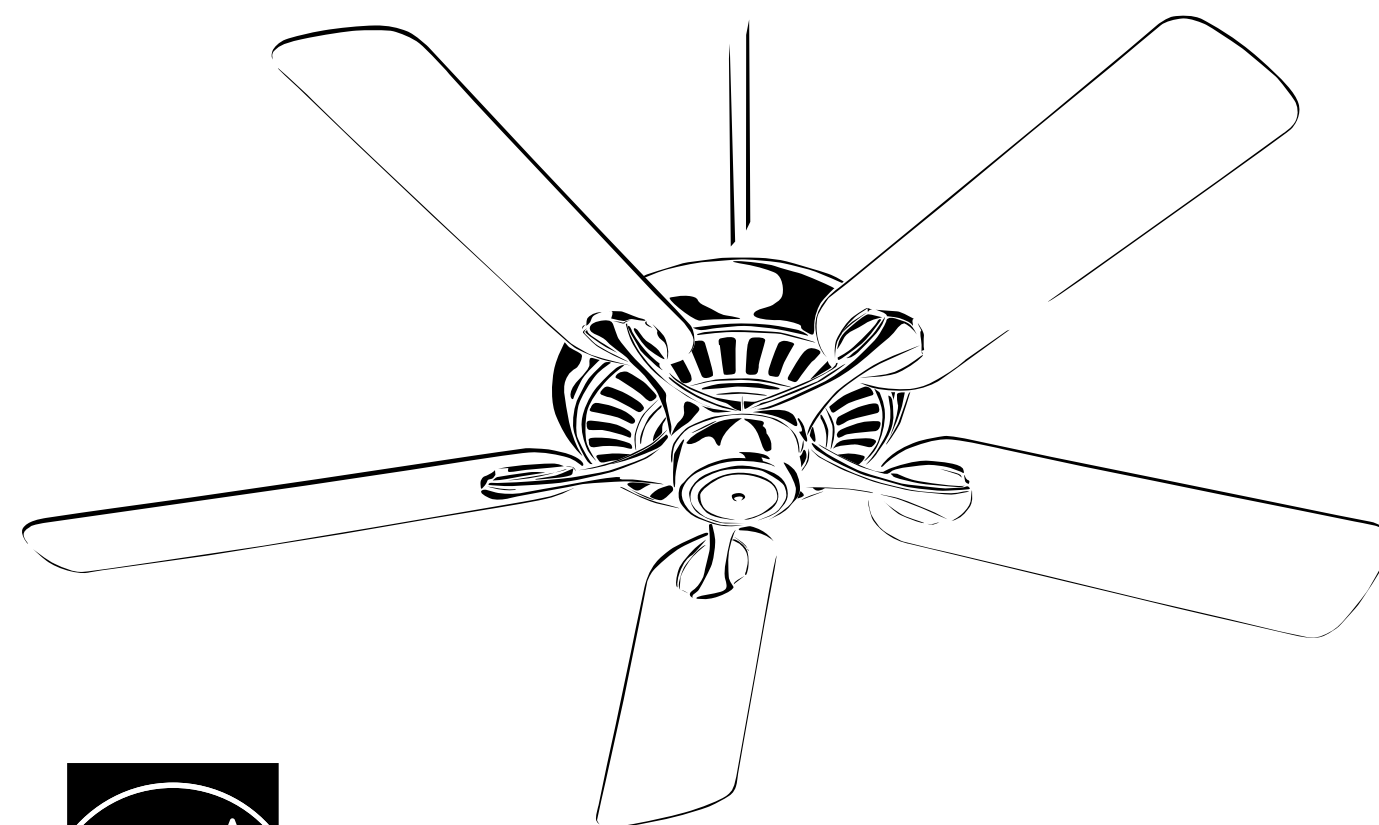
### EXCESSIVE WOBBLE

**Note:** A small amount of wobble is considered acceptable and should not be considered a defect.

1. Make certain all blades are tightly attached to each blades' respective blade arm.

# THE PINNACLE CEILING FAN INSTALLATION INSTRUCTIONS

Please read and save these instructions



Version #191525-XX is Energy Star certified.

These instructions are to be used in the installation of the following QUORUM INTERNATIONAL fans...

The Pinnacle  
(WET LISTED)

**QUORUM**  
INTERNATIONAL

© 2006 Quorum International. All Rights Reserved.

P.O. Box 961008 • Fort Worth, TX 76161 • (817) 626-5483 • FAX (817) 626-5540

10108-706

### REPLACEMENT PARTS AVAILABLE

A full range of genuine replacement spare parts are available at reasonable cost directly from Quorum International. Please call us at (817)626-5483, Monday through Friday from 8:00 A.M. to 5:00 P.M. CST.

